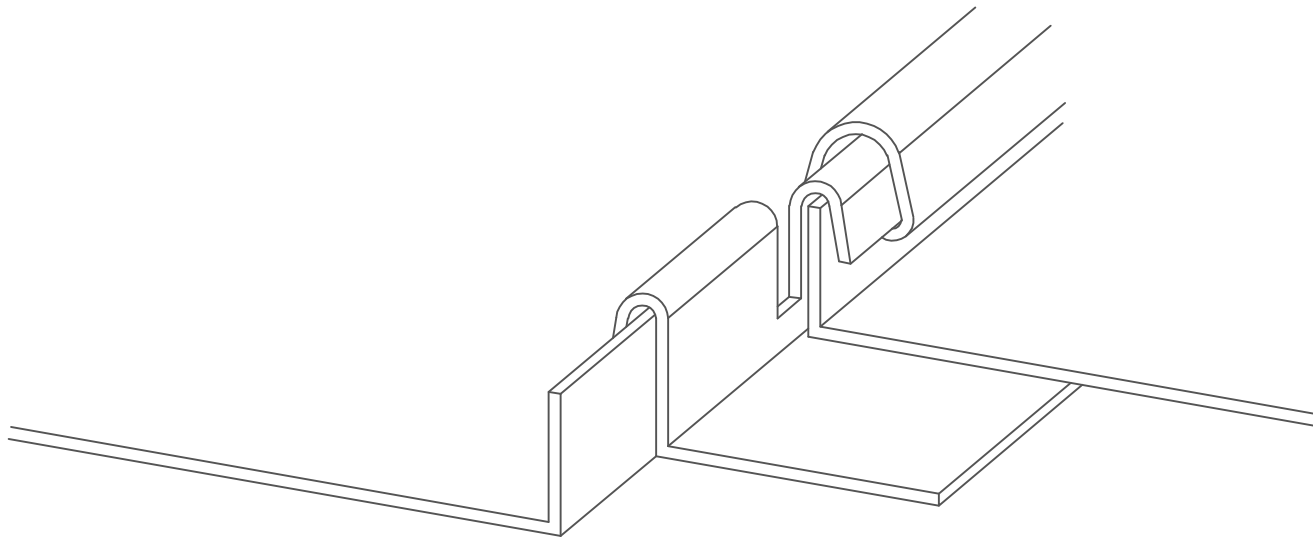


PS TEE PANEL

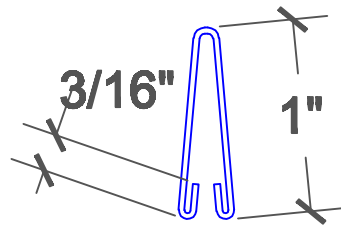
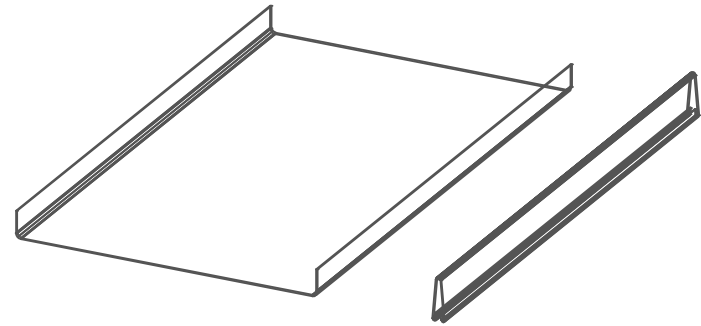
PREMIUM PANELS INC.



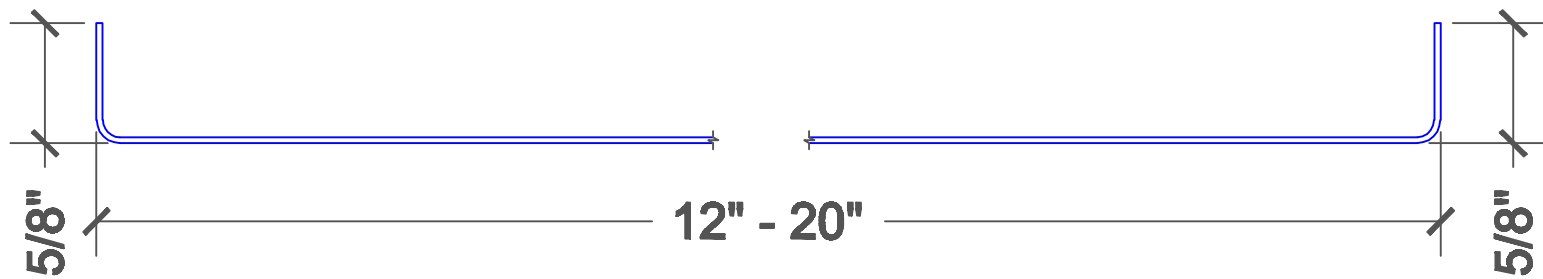
PLYWOOD DECK DETAILS

NOTES:

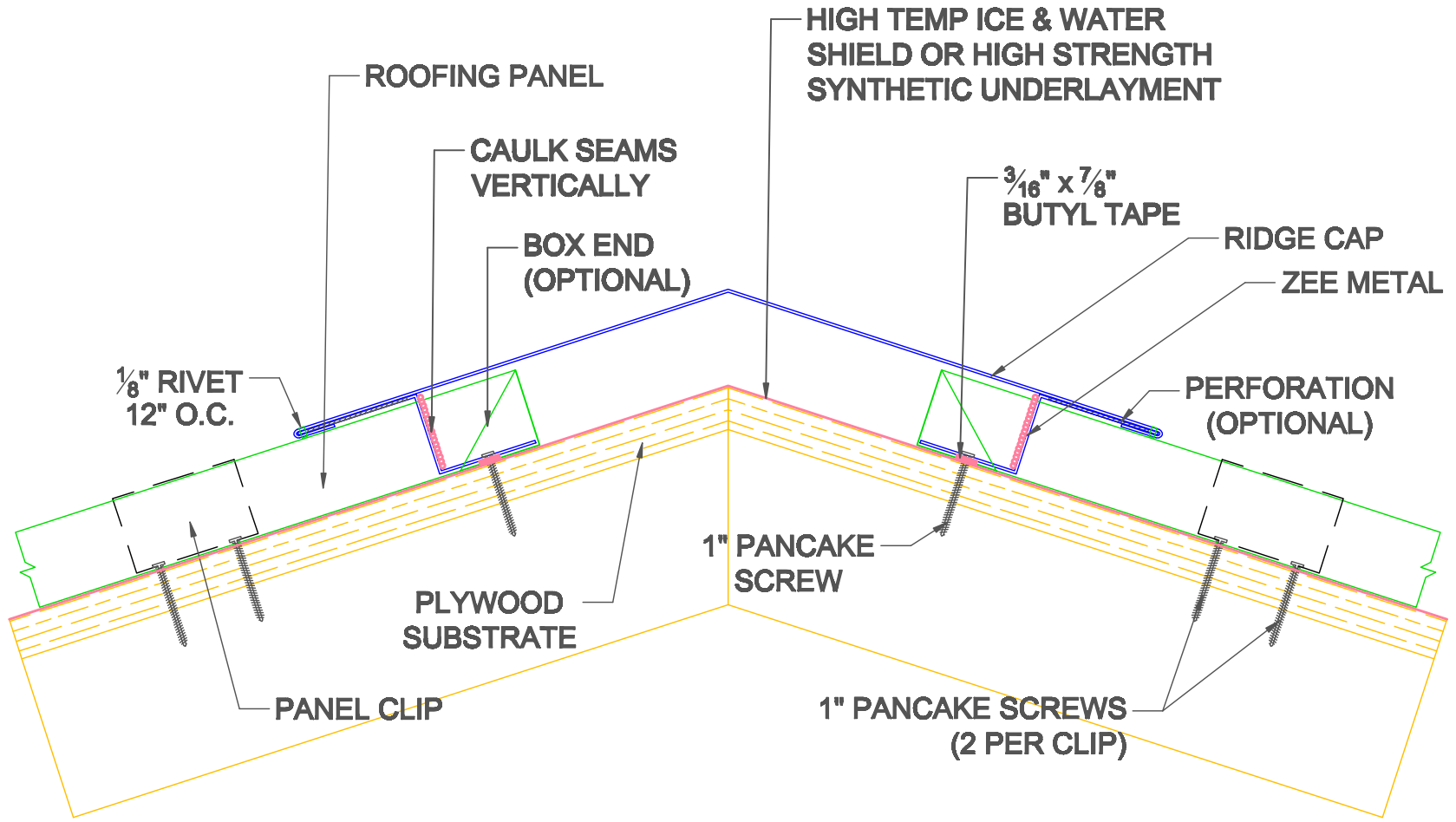
- MATERIAL USAGE: APPROX. 1 1/4"
- PROFILE IS A TWO PART SYSTEM



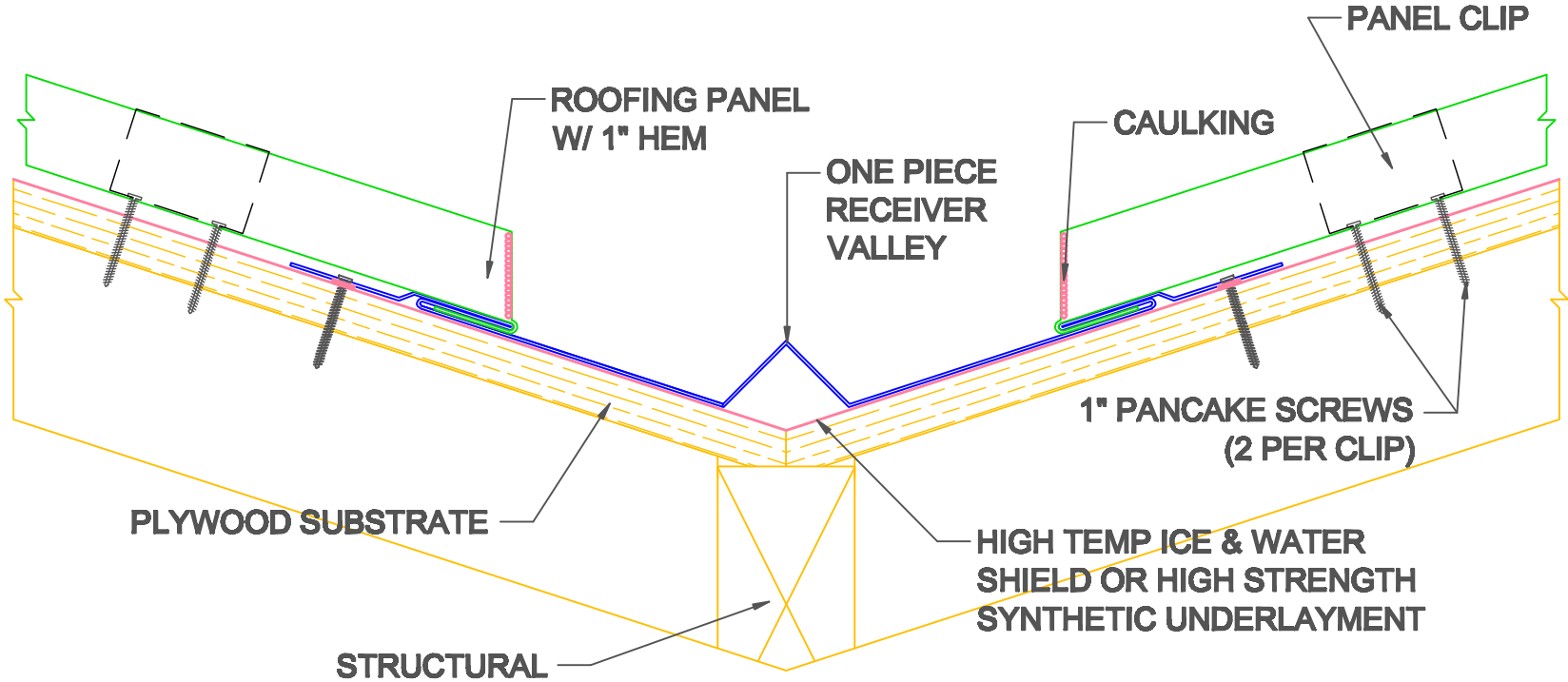
BATTEN



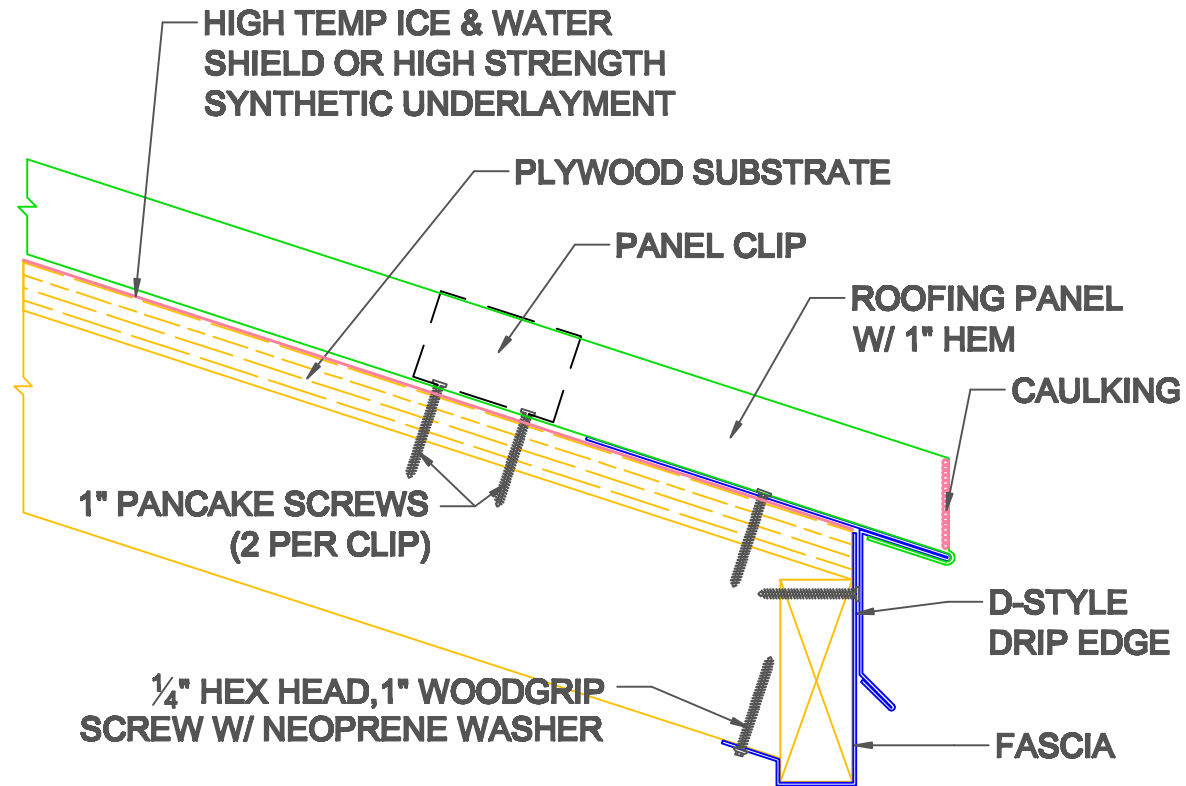
PANEL



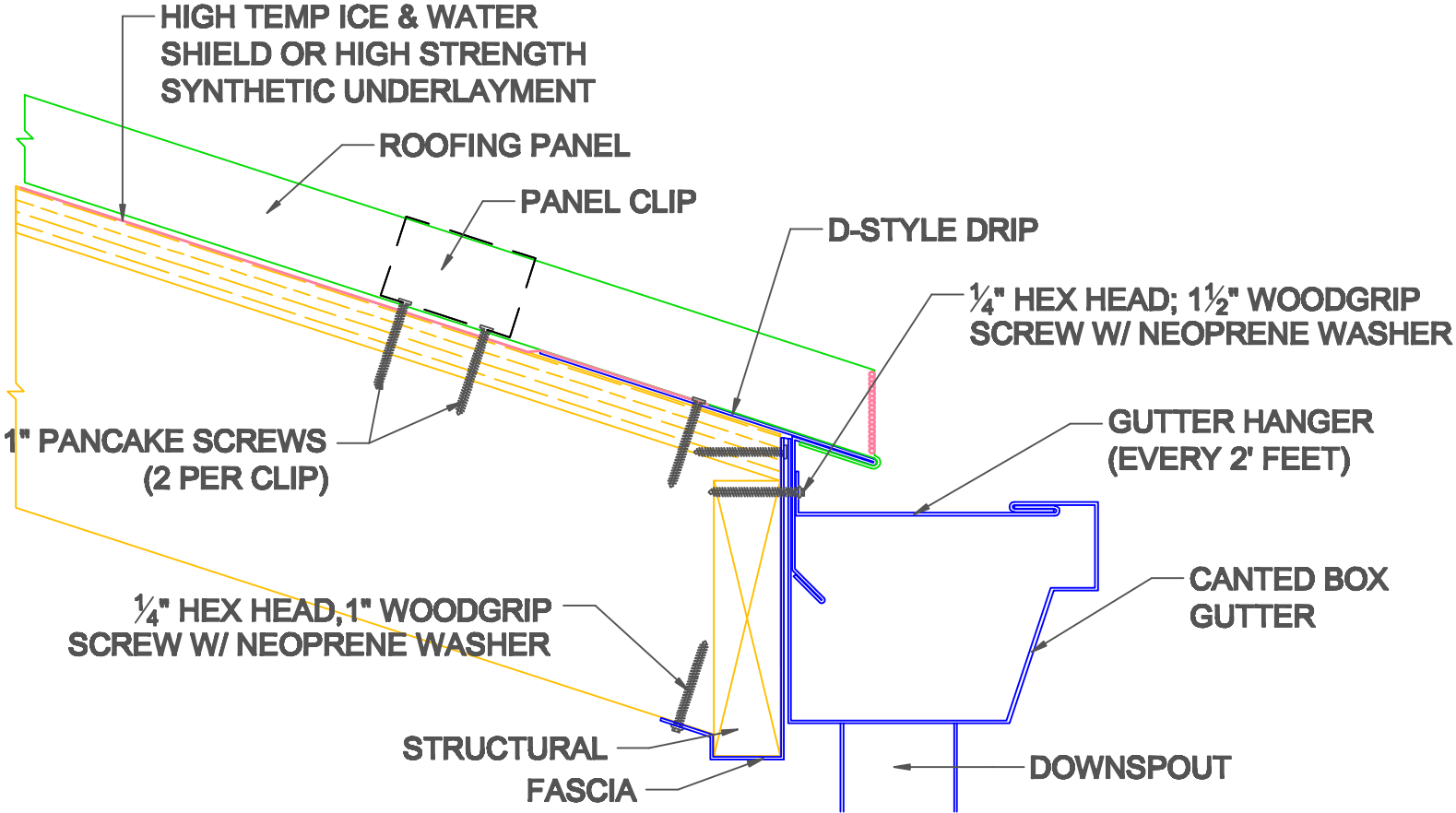
RIDGE WITH ZEE



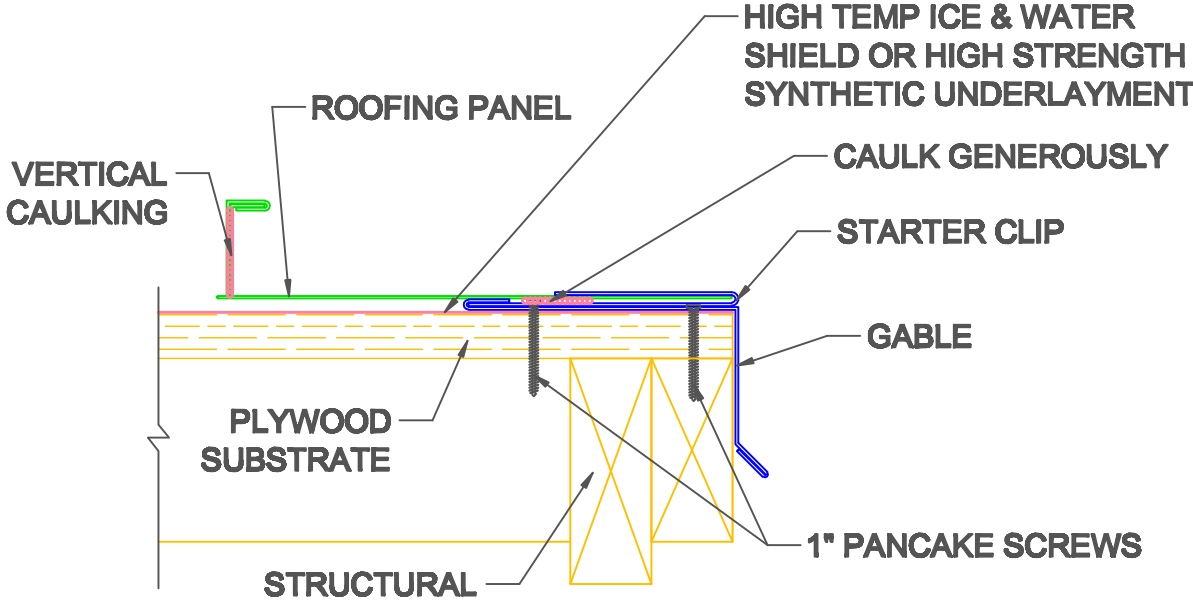
ONE PIECE RECEIVER VALLEY



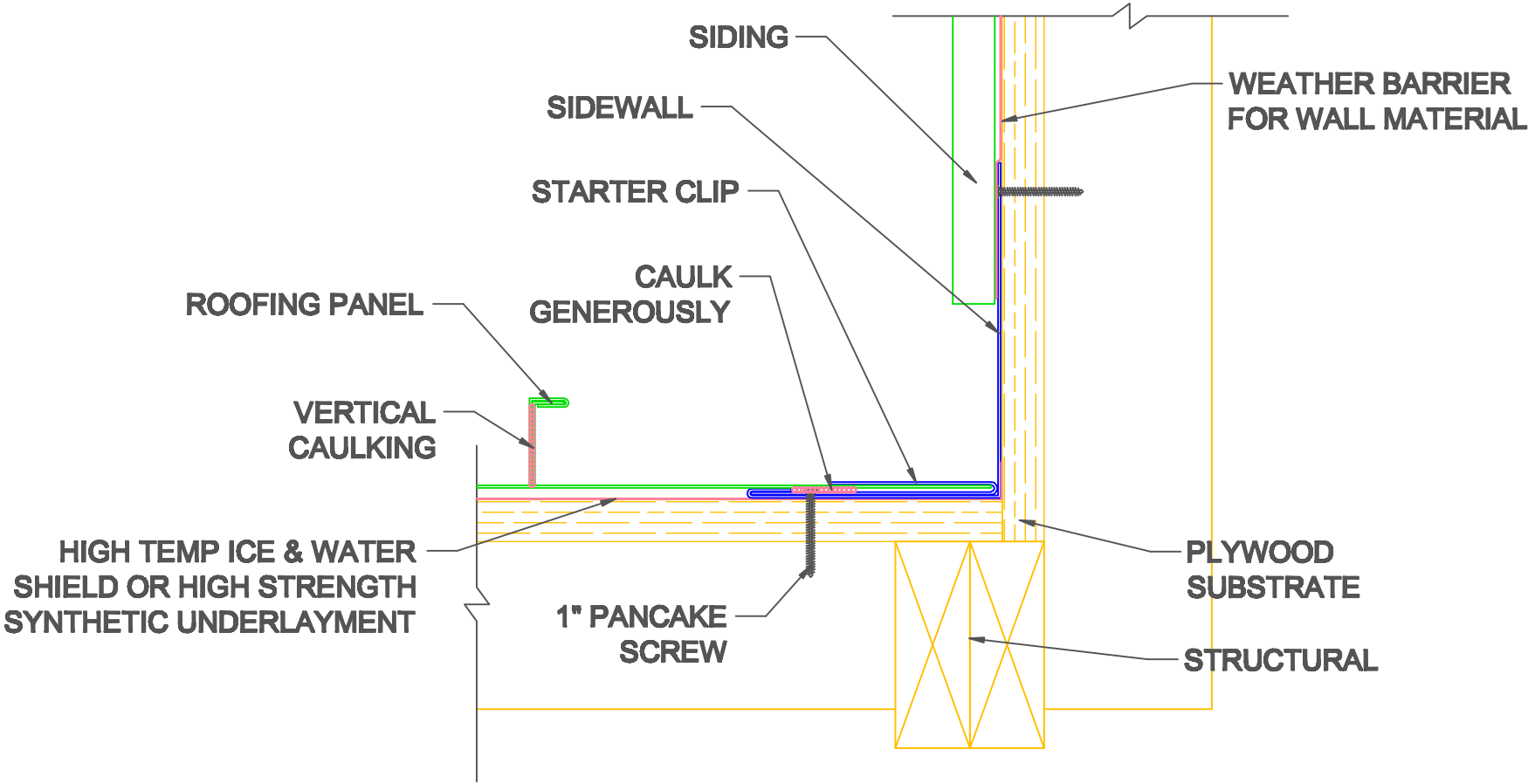
D-STYLE DRIP EDGE



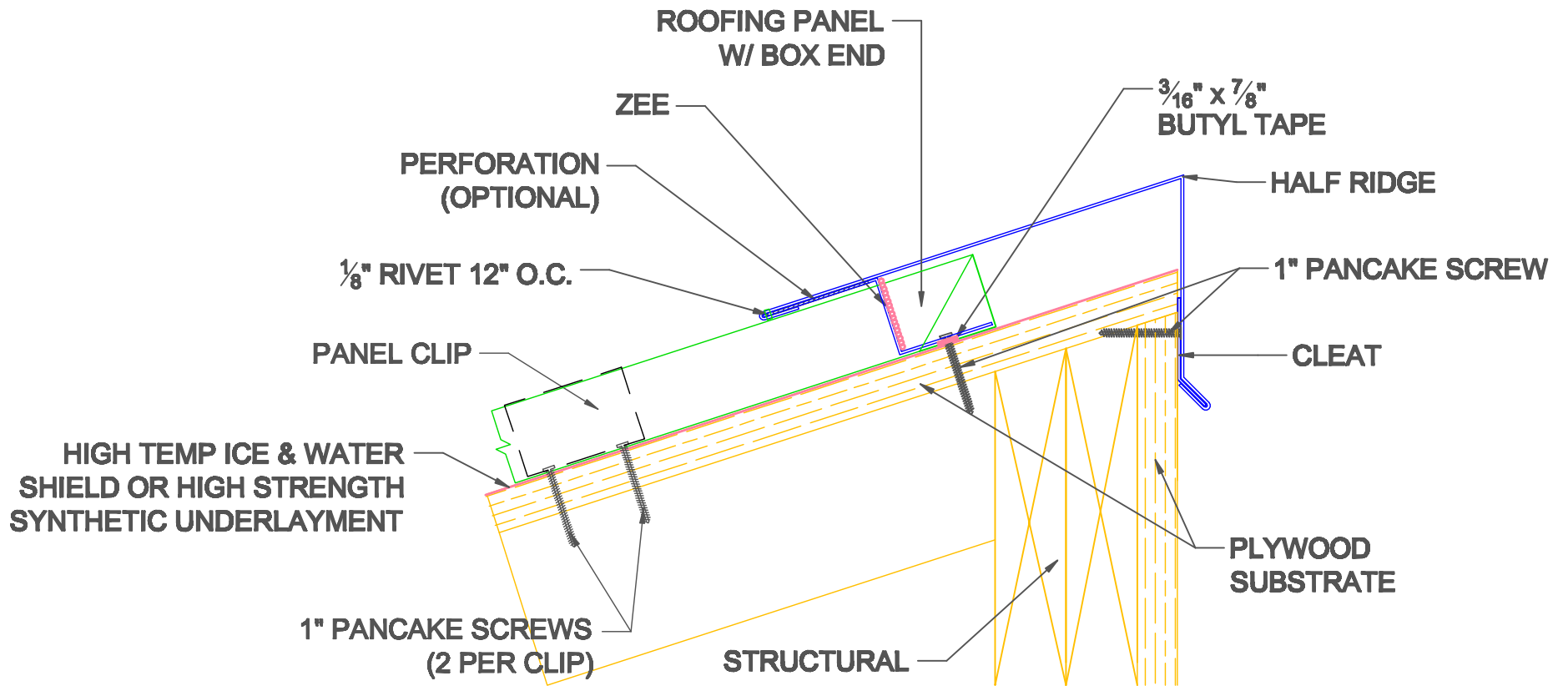
DRIP EDGE W/ GUTTER



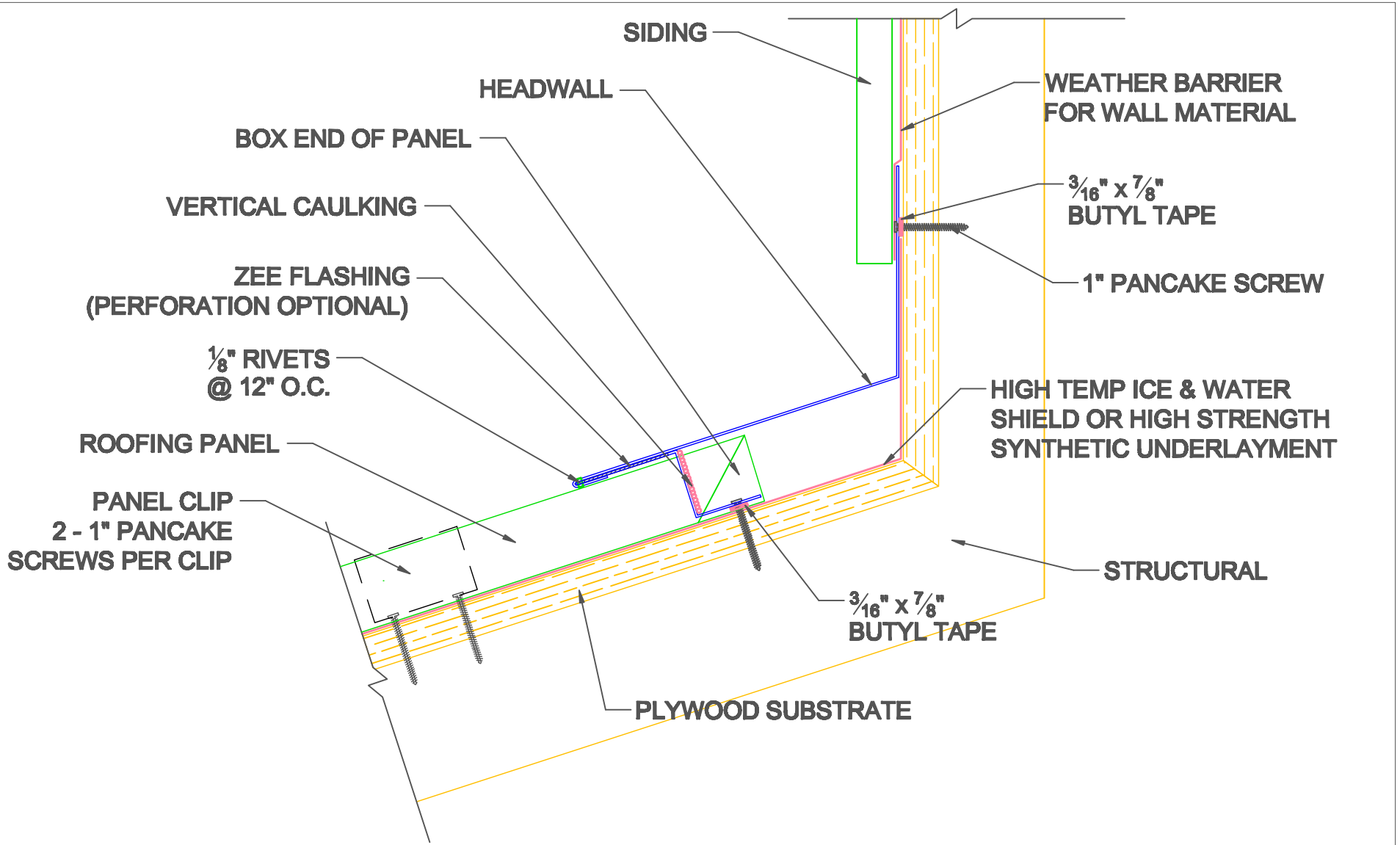
GABLE W/ STARTER



SIDEWALL W/ STARTER

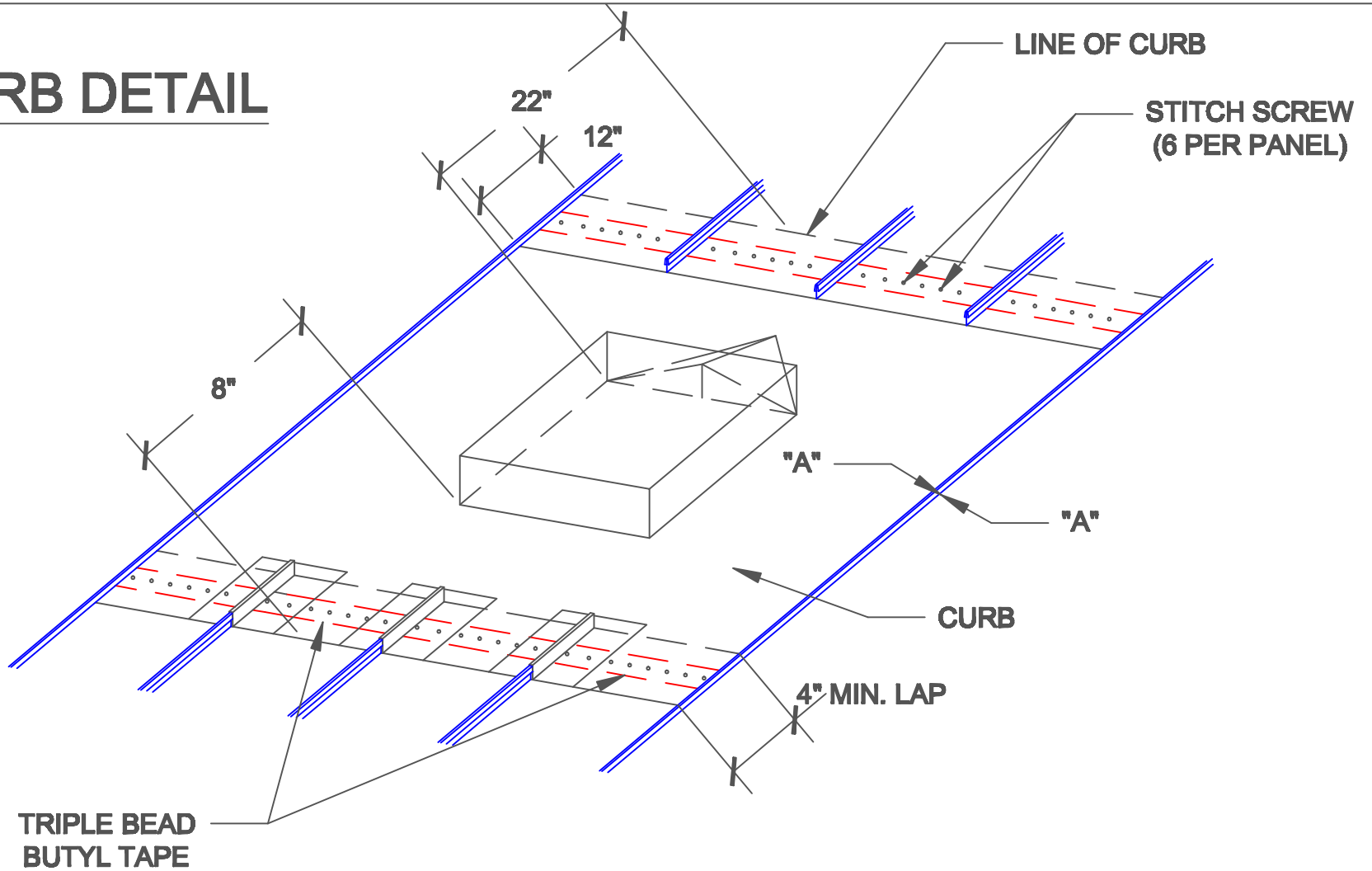


HALF RIDGE W/ ZEE

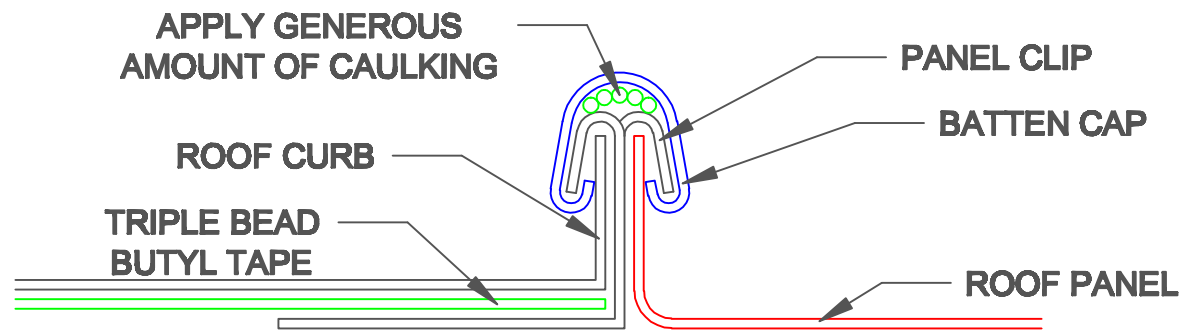


HEADWALL W/ ZEE

CURB DETAIL



SECTION "A-A"



DECKTITE DETAIL

